



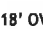
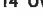


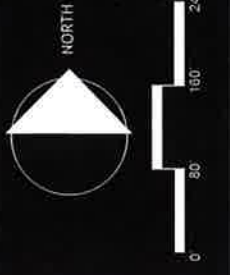


**GENERAL LEGEND**

-  CONCRETE SIDEWALK
-  DECORATIVE PAVING (CONCRETE PAVER)
-  CONCRETE CURB AND GUTTER
-  SPECIAL EMPHASIS CROSSWALK MARKING
-  18' OVERHEAD LIGHT POLE WITH BANNER ARM
-  14' OVERHEAD LIGHT POLE
-  TYPICAL SHADE TREE
-  TYPICAL LANDSCAPING

**PRELIMINARY**  
NOT FOR CONSTRUCTION



PROJECT: Lay Avenue Streetscape  
Preliminary Layout Plans  
City of Iron River, Michigan  
CLIENT:  
DATE: 1-25-10  
JOB #: 2009450.01  
SCALE: As Noted  
REVISIONS:

**Lay Avenue Streetscape**  
SCHEMATIC DESIGN DETAILS  
City of Iron River